



Coaxial and Satellite Sockets



Range of Simply Stylish Wiring Accessories

Designed to provide a competitive, cost effective equivalent range of white moulded accessories with a sleek, slim design creating a modern aesthetic.

Manufactured from Polycarbonate with reinforced interior plates to ensure every product is robust, strong, durable and UV stabilised so that signs of ageing is not a problem.

Coaxial and Satellite Sockets

Product Range

Co-axial and Satellite Socket Outlets (Unshielded)

CPC065	1 Gang Non-isolated Coaxial Socket Outlet
CPC156	1 Gang Non-isolated Satellite Socket Outlet



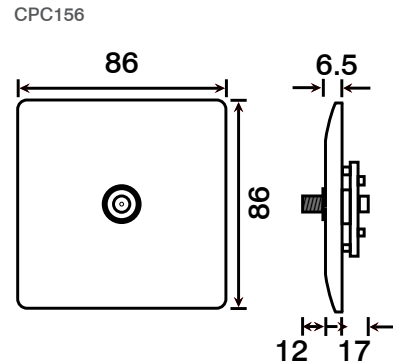
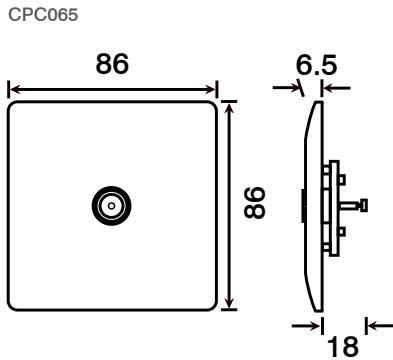
CPC065



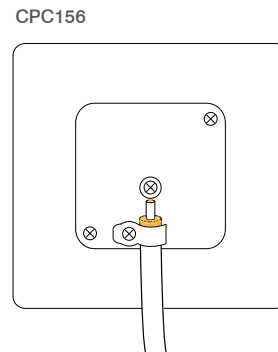
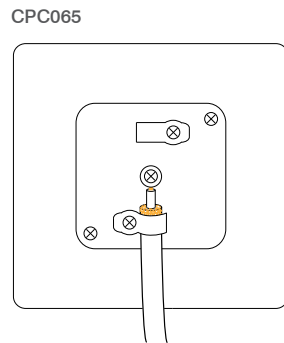
CPC156

Coaxial and Satellite Sockets

Product Dimensional Drawings (mm)



Product Wiring Diagram



Coaxial and Satellite Sockets

Technical Specification

Co-axial and Satellite Socket Outlets (Unshielded)

Material Composition	Front Plate: Polycarbonate
	Insert: Polycarbonate
	Terminals: Brass
	Earth Plate: Mild Steel
Coaxial Outlet	Female
Fixing Centres	60.3mm
Back Box Depth	35mm
Warranty	10 Years
Operational Temperature	-5° to +40°C
Standards	BS 5733: 2010 +A1: 2014 (where applicable)

Additional Information

Both outlets are non-isolated enabling 2 way signal transmission.



EU DECLARATION OF CONFORMITY

1. *Issuer Name* Scolmore International Limited
2. *Issuer Address* 1 Scolmore Park, Landsberg,
Lichfield Road Industrial Estate,
Tamworth, Staffordshire, B79 7XB
3. *Object(s) of Declaration* Seera Range
 - a. *Group* Coaxial and Satellite Socket Outlets
 - b. *Model No.* CPC066 & CPC156
4. *The object of the declaration described above is in conformity with the requirements of the following Legislations:*
5. *All products contained within the aforementioned comply with the relevant standards and requirements listed below.*

BS 5733: 2010 +A1: 2014 (where applicable)

6. *I hereby declare that the equipment named above has been designed to comply with the relevant sections of the above referenced specifications. The unit complies with all applicable Essential Requirements of the Directives.*

In conjunction with the above all manufacture and process controls are in accordance with ISO 9001:2015.

This declaration has been issued under the sole responsibility of the manufacturer, signed at, for and on behalf of: Scolmore International Limited

A handwritten signature in blue ink, appearing to read "Karl Rawlins".

Karl Rawlins – Senior Technical Support Engineer